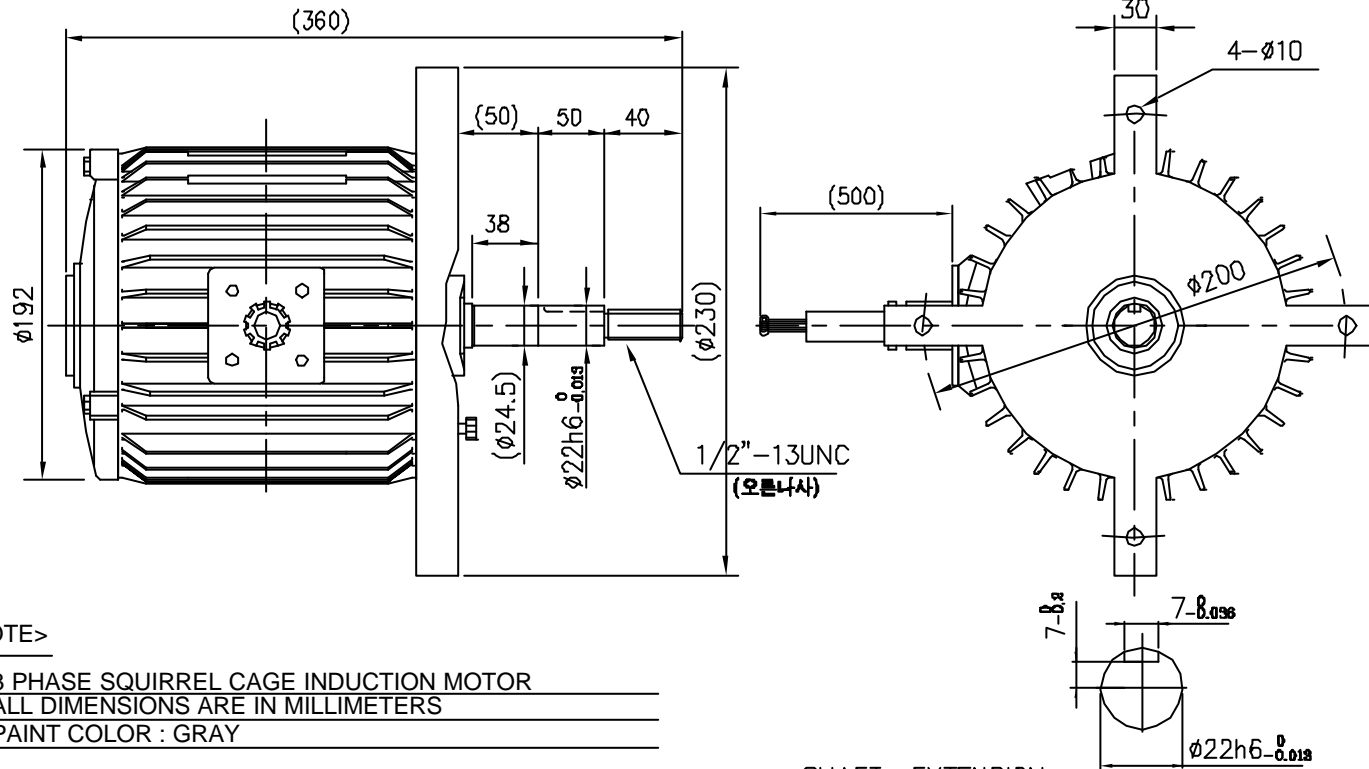


THREE PHASE INDUCTION MOTOR

TYPE ⇨ TOTALLY ENCLOSED AIR OVER

OTHER SPECIAL FEATURES

OUTLINE DIMENSIONS



<참고>

1. SHAFT 끝단에 NUT 체결.
2. E/B(F) : OIL-SEAL 부착.
3. 모든 접부 역상가스켓 처리.
4. ()안의 치수는 참고치수임.

NOTE>

1. 3 PHASE SQUIRREL CAGE INDUCTION MOTOR
2. ALL DIMENSIONS ARE IN MILLIMETERS
3. PAINT COLOR : GRAY

GENERAL SPECIFICATIONS

SHAFT EXTENSION

	FRAME NO.	KW	POLE	VOLTS	HZ	INS CLASS	SERVICE FACTOR	RATING	BEARINGS		APPROX WEIGHT	PROTECTION	MODEL NAME
									DRIVE	OPP.DRAVE			
A	90L	0.75	6	220/380	60	F	1.0	CONT.	6205DD	6204ZZ	24KG	IP54	
B		0.75	6	440	60	F	1.0	CONT.	6205DD	6204ZZ	24KG	IP54	
C													
D													

DRAWING NO.		
PREPEARED	CHECKED	APPROVED
2000.07.24 D.H.KAM	2000.07.24 H.J. KIM	2000.07.24 J.H. KIM

LG-OTIS